

# OWNER'S MANUAL

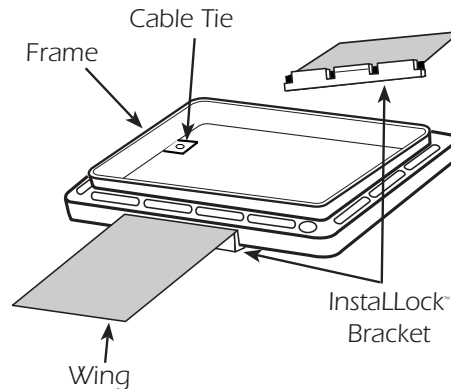
## InstaLock™ New Construction Bracket

Congratulations on your purchase of the SpeakerCraft InstaLock® New Construction Bracket system. This will aid you in new construction applications by providing a template for the drywall to be cut around and it will provide a perfect mounting hole for SpeakerCraft speakers.

### REASONS FOR USING A NEW CONSTRUCTION BRACKET (See Diagram #1 below)

- 1) To designate the location where your speakers will be mounted, and to provide a secure place to tie off the speaker cable.
- 2) To mark and define a hole for the drywall installer to cut out in order to mount your architectural speakers.

Diagram #1



### BRACKET ASSEMBLY (See Diagram #2 below)

SpeakerCraft InstaLock® New Construction Brackets come with two wings which mount either horizontally or vertically to the bracket frame. The wings will span standard 16" on center studs. For spans longer than 16", SpeakerCraft does have Extra Long Wings available, which will span 24" on center studs.

Diagram #2



a) InstaLock® Bracket with wings in standard position.



b) By applying ample pressure to a wing, it will detach from the bracket.



c) To reinstall the wing on the bracket frame, simply align the notches with the bracket grooves and apply pressure to snap into place.

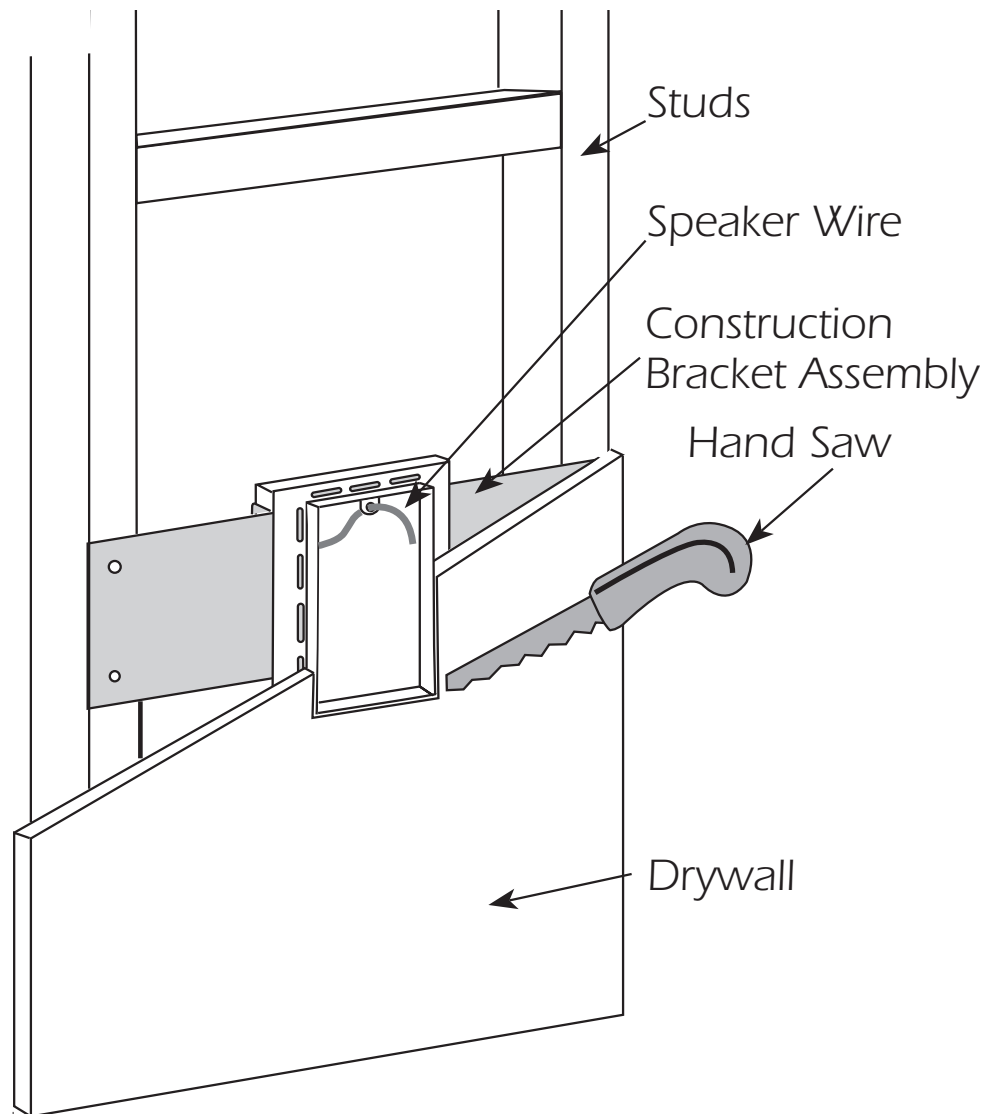


d) The wing is secure in a new location.

**BRACKET INSTALLATION** (See Diagram #3 below)

- 1) Mount the wings to the bracket frame by aligning the notches on the wing with the bracket grooves. Snap into place by applying pressure. (See Diagram #2 on Page 1)
- 2) Screw, nail, or staple the assembled bracket to the studs. If you are installing Mirror Image Technology speakers, make sure that you have 2½" of clearance on either side of the mounting frame, so that the mounting feet don't hit the studs. NOTE: Place the frame so that the side with the cable tie is toward the wall.
- 3) Run the speaker cable through the cable tie on the Bracket.
- 4) The location is now ready for drywall to be hung, providing a perfect location to mount your speakers.

Diagram #3



SpeakerCraft offers a variety of accessories to make your installation of this and other SpeakerCraft products easy, economical, and professional. Contact your authorized SpeakerCraft Dealer for more information.

Should you have any questions regarding this, or any other SpeakerCraft product, please call our toll-free service hotline at 1-800-448-0976. We are available to assist you every weekday, except holidays, between the hours of 7:00 a.m. and 5:00 p.m. PST.